

KJT Sensors - KJT-J30 Series

Proximity Sensor - DC Power Supplies

KJT-JN130-D15**-DS12



- Performance more steady due to specialized IC

- Housing material : Brass nickel plated

- Sensing distance Sn (mm) :15mm

- Output function : NPN/PNP NO/NC/ NO+NC

Technical parameter

| | |
|--------------------------|---------------------|
| Size | J30*78mm |
| Mounting | Unshielded |
| Sensing Distance SN [mm] | 15mm |
| Housing material | Brass nickel plated |
| Indicator | With LED |
| Operating voltage | 10-36VDC |
| Output | PNP/NPN NO/NC |
| Ripple | <10% |
| No Load Current | <10mA |
| Max.Load Current | 200mA |
| Leakage Current | <0.01mA |
| Voltage Drop | <1.5V |

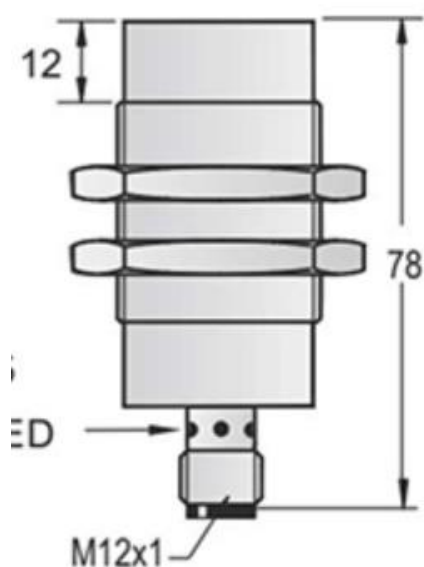
| | |
|--------------------------|--------------------------|
| Switching Frequency | 150 Hz |
| Response Time | 1ms |
| Switching Hysteresis | <15%(Sr) |
| Repeat Accuracy | <3%(Sr) |
| Protection Degree | IP67 |
| Operating Temperature | -25°C-+70°C |
| Temperature Drift | <10%(Sr) |
| Short Circuit Protection | YES |
| Overload Trip Point | 200mA |
| Connection | With M12 4 pin connector |

KJT Sensors - KJT-J30 Series

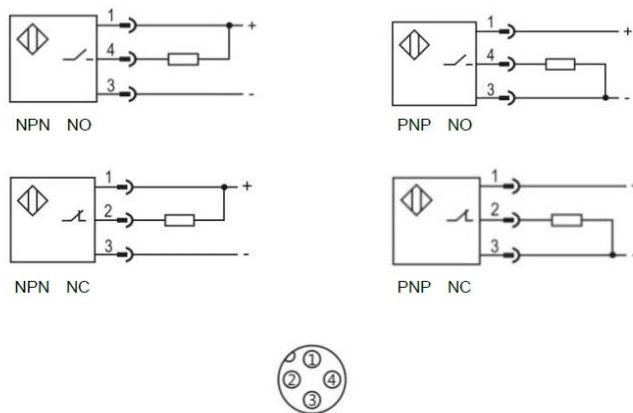
Proximity Sensor - DC Power Supplies

KJT-JN130-D15**-DS12

Dimension drawing



Connection diagram



KJT Sensors - KJT-J30 Series

Proximity Sensor - DC Power Supplies

KJT-JN130-D15**-DS12

Model/Order Number

| | |
|---------------------------------|----------------------|
| Sn 15mm DC 3 wire 10-36V PNP NO | KJT-JN130-D15PA-DS12 |
| Sn 15mm DC 3 wire 10-36V PNP NC | KJT-JN130-D15PB-DS12 |
| Sn 15mm DC 3 wire 10-36V NPN NO | KJT-JN130-D15NA-DS12 |
| Sn 15mm DC 3 wire 10-36V NPN NC | KJT-JN130-D15NB-DS12 |