

# KJT Sensors - KJT-J30 Series

## Proximity Sensor - DC Power Supplies

KJT-JN130-D15D\*-DS12



- Performance more steady due to specialized IC
- Housing material : Brass nickel plated
- Sensing distance Sn (mm) :15mm
- Output function : NO/NC
- Power supply range: 10-36V DC
- Protection degree : IP67 (IEC)
- Provide customized service

### Technical parameter

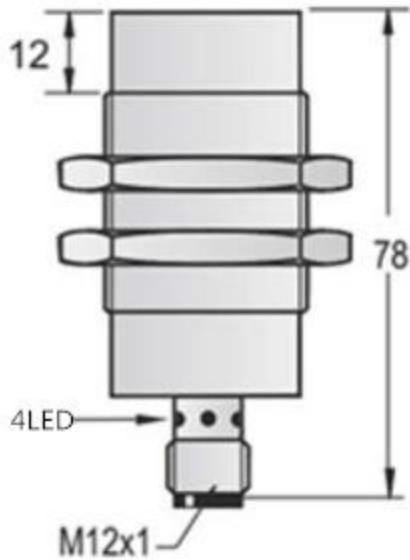
Size	J30*78mm
Mounting	Unshielded
Sensing Distance SN [mm]	15mm
Housing material	Brass nickel plated
Indicator	With LED
Operating voltage	10-36VDC
Output	NO/NC
Ripple	<10%
No Load Current	<10mA
Max.Load Current	3-100mA
Leakage Current	<0.8mA
Voltage Drop	<6V
Switching Frequency	200 Hz
Response Time	1.5ms
Switching Hysteresis	<15%(Sr)
Repeat Accuracy	<3%(Sr)
Protection Degree	IP67
Operating Temperature	-25℃-+70℃
Temperature Drift	<10%(Sr)
Short Circuit Protection	YES
Overload Trip Point	200mA
Connection	With M12 4 pin connector

# KJT Sensors - KJT-J30 Series

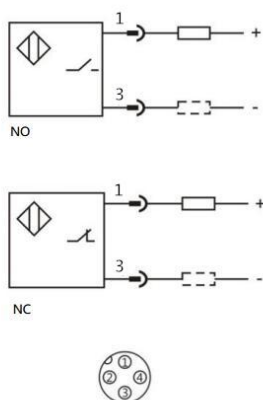
Proximity Sensor - DC Power Supplies

KJT-JN130-D15D\*-DS12

## Dimension drawing



## Connection diagram



# KJT Sensors - KJT-J30 Series

Proximity Sensor - DC Power Supplies

KJT-JN130-D15D\*-DS12

## Model/Order Number

Sn 15mm DC 2 wire 10-36V NO

KJT-JN130-D15DA-DS12

Sn 15mm DC 2 wire 10-36V NC

KJT-JT130-D15DB-DS12