

KJT Sensors - KJT-J30 Series

Proximity Sensor - DC Power Supplies

KJT-JN130-D15**-D3



- Performance more steady due to specialized IC
- Housing material : Brass nickel plated
- Sensing distance Sn (mm) :15mm
- Output function : NPN/PNP NO/NC
- Power supply range: 10-36V DC
- Protection degree : IP67 (IEC)
- Provide customized service

Technical parameter

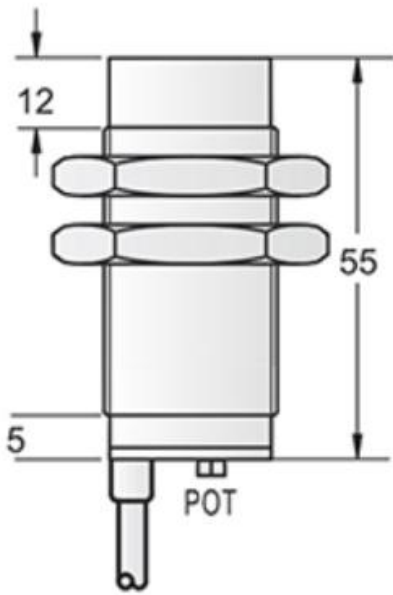
Size	J30*55mm
Mounting	Unshielded
Sensing Distance SN [mm]	15mm
Housing material	Brass nickel plated
Indicator	With LED
Operating voltage	10-36VDC
Output	PNP/NPN NO/NC
Ripple	<10%
No Load Current	<10mA
Max.Load Current	200mA
Leakage Current	<0.01mA
Voltage Drop	<1.5V
Switching Frequency	200 Hz
Response Time	0.5ms
Switching Hysteresis	<15%(Sr)
Repeat Accuracy	<3%(Sr)
Protection Degree	IP67
Operating Temperature	-25℃-+70℃
Temperature Drift	<10%(Sr)
Short Circuit Protection	YSE
Overload Trip Point	200mA
Connection	PVC Cable 2M

KJT Sensors - KJT-J30 Series

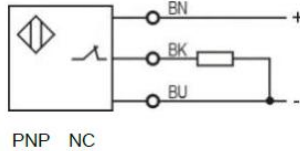
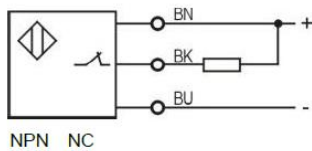
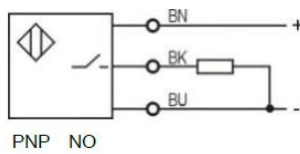
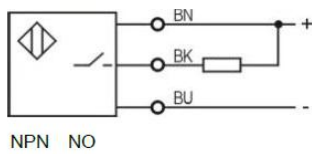
Proximity Sensor - DC Power Supplies

KJT-JN130-D15**-D3

Dimension drawing



Connection diagram



KJT Sensors - KJT-J30 Series

Proximity Sensor - DC Power Supplies

KJT-JN130-D15**-D3

Model/Order Number	
Sn 15mm DC 3 wire 10-36V PNP NO	KJT-JN130-D15PA-D3
Sn 15mm DC 3 wire 10-36V PNP NC	KJT-JN130-D15PB-D3
Sn 15mm DC 3 wire 10-36V NPN NO	KJT-JN130-D15NA-D3
Sn 15mm DC 3 wire 10-36V NPN NC	KJT-JN130-D15NB-D3