

KJT Sensors - KJT-J30 Series

Proximity Sensor - AC Power Supplies

KJT-JT130-D10A*-J2



- Performance more steady due to specialized IC
- Housing material : Brass nickel plated
- Sensing distance Sn (mm) :10mm
- Output function : NO/NC
- Power supply range: 90-250V AC
- Protection degree : IP67 (IEC)
- Provide customized service

Technical parameter

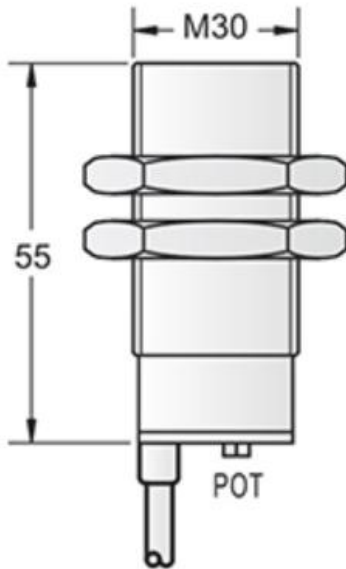
Size	J30*55mm
Mounting	Shielded
Sensing Distance SN [mm]	10mm
Housing material	Brass nickel plated
Indicator	With LED
Operating voltage	90-250VAC
Output	NO/NC
Ripple	<1.8mA
No Load Current	5A(20ms)
Max.Load Current	400mA
Leakage Current	<1.8mA
Voltage Drop	<8V
Switching Frequency	100 Hz
Response Time	10ms
Switching Hysteresis	<15%(Sr)
Repeat Accuracy	<3%(Sr)
Protection Degree	IP67
Operating Temperature	-25℃-+70℃
Temperature Drift	<10%(Sr)
Short Circuit Protection	YES
Overload Trip Point	400mA
Connection	PVC Cable 2M

KJT Sensors - KJT-J30 Series

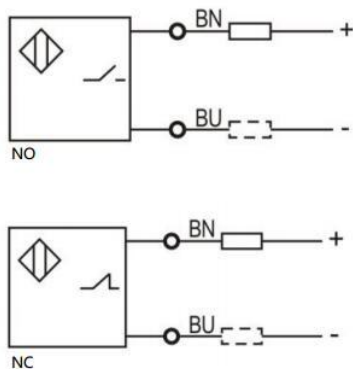
Proximity Sensor - AC Power Supplies

KJT-JT130-D10A*-J2

Dimension drawing



Connection diagram



KJT Sensors - KJT-J30 Series

Proximity Sensor - AC Power Supplies

KJT-JT130-D10A*-J2

Model/Order Number

Sn 10mm AC 2 wire 90-250V NO	KJT-JT130-D10AA-J2
Sn 10mm AC 2 wire 90-250V NC	KJT-JT130-D10AB-J2